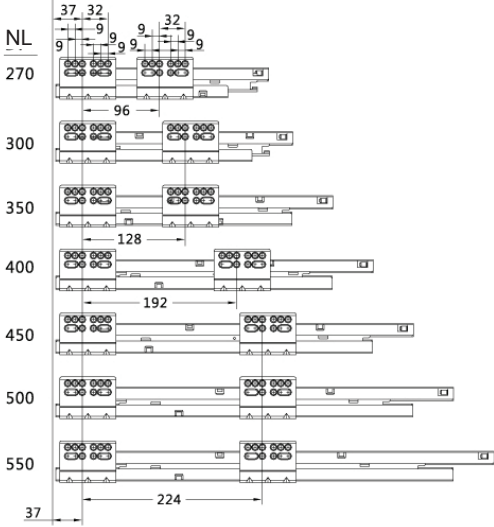
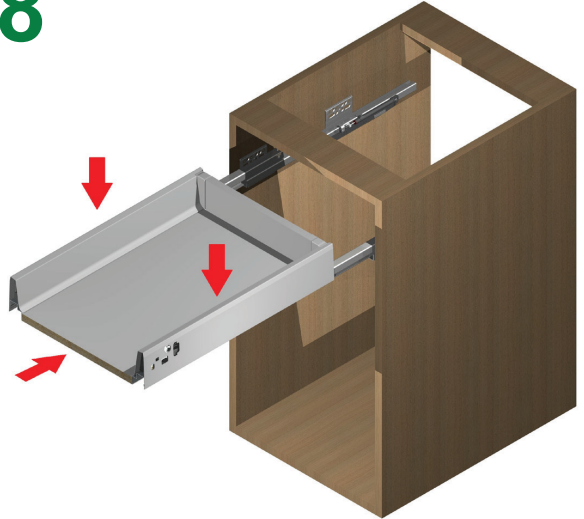


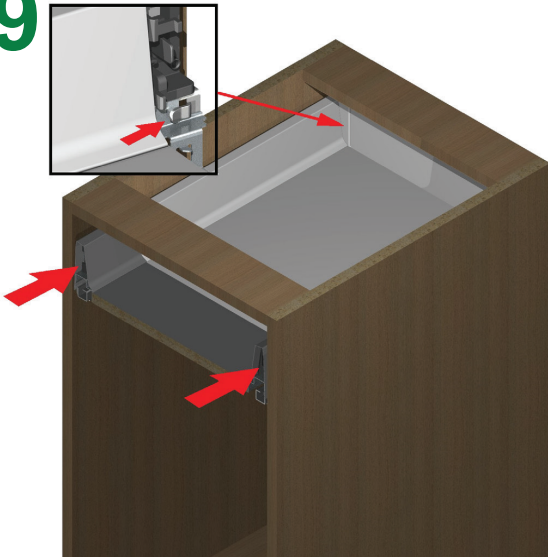
7



8



9

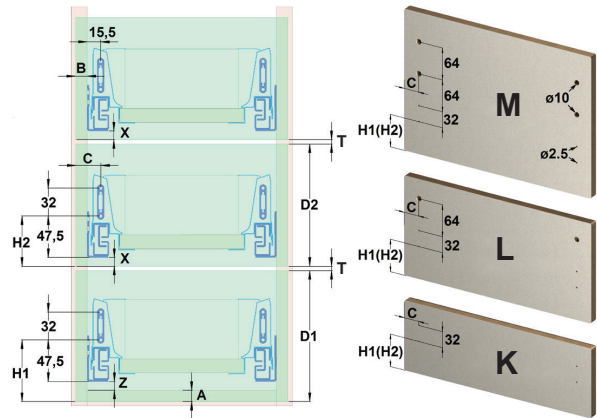


10

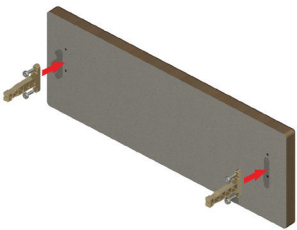
$$H1 = A + Z + 47,5$$

$$H2 = X + 47,5, \dots$$

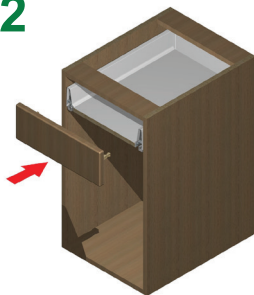
$$C = B + 15,5$$



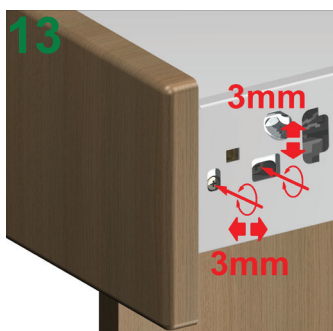
11



12



13



14

